



# ENCORE PROFILE 1000 COLOR



## User Manual

©2021 **ADJ Products, LLC** all rights reserved. Information, specifications, diagrams, images, and instructions herein are subject to change without notice. ADJ Products, LLC logo and identifying product names and numbers herein are trademarks of ADJ Products, LLC. Copyright protection claimed includes all forms and matters of copyrightable materials and information now allowed by statutory or judicial law or hereinafter granted. Product names used in this document may be trademarks or registered trademarks of their respective companies and are hereby acknowledged. All non-ADJ Products, LLC brands and product names are trademarks or registered trademarks of their respective companies.

**ADJ Products, LLC** and all affiliated companies hereby disclaim any and all liabilities for property, equipment, building, and electrical damages, injuries to any persons, and direct or indirect economic loss associated with the use or reliance of any information contained within this document, and/or as a result of the improper, unsafe, insufficient and negligent assembly, installation, rigging, and operation of this product.

Europe Energy Saving Notice

Energy Saving Matters (EuP 2009/125/EC)

Saving electric energy is a key to help protecting the environment. Please turn off all electrical products when they are not in use. To avoid power consumption in idle mode, disconnect all electrical equipment from power when not in use. Thank you!

General Information	4
Features   Warranty Registration   Installation	5
Safety Precautions	6
DMX Set Up	7
Operating Instructions	9
Primary-Secondary Configuration   Focus and Zoom Adjustment	13
ADJ LED RC2 Operation	14
UC IR Remote & Airstream IR	16
4 Channel Mode   5 Channel Mode	17
6 Channel Mode	18
10 Channel Mode	19
11 Channel Mode	21
Color Macro Chart	24
CAD Drawing	26
Gobo Install   Dimmer Curve Chart	27
Power Cord Daisy Chain   Fuse Replacement   Troubleshooting   Cleaning	28
Warranty	29
Specifications	30

**Unpacking:** Thank you for purchasing the Encore Profile 1000 Color by ADJ Products, LLC. Every Encore Profile 1000 Color has been thoroughly tested and has been shipped in perfect operating condition. Carefully check the shipping carton for damage that may have occurred during shipping. If the carton appears to be damaged, carefully inspect your fixture for any damage and be sure all accessories necessary to operate the unit have arrived intact. In the case damage has been found or parts are missing, please contact our toll free customer support number for further instructions. Do not return this unit to your dealer without first contacting customer support.

**Introduction:** The ADJ Encore Profile 1000 Color is a DMX intelligent, high powered LED follow spot. This follow spot has five operating modes: RGBW dimmer mode, color change mode, color fade mode, auto run mode, static color mode, and DMX control mode. This fixture can be used in a stand alone mode or connected in a Primary/Secondary configuration. To optimize the performance of this product, please read these operating instructions carefully to familiarize yourself with the basic operations of this unit. These instructions contain important safety information regarding the use to and maintenance of this unit. Please keep this manual with the unit for future reference.

**Customer Support:** ADJ Products, LLC provides a customer support line, to provide set up help and to answer any questions or problems that you may encounter during set up or initial operation. You may also visit us on the web at [www.adj.com](http://www.adj.com) for any comments or suggestions. Service Hours are Monday through Friday 8:00am to 4:30pm PST.

Voice: (800) 322-6337  
Fax: (323) 582-2941  
E-mail: [service@adj.com](mailto:service@adj.com)

**Warning!** To prevent or reduce the risk of electrical shock or fire, do not expose this unit to rain or moisture.

**Caution!** There are no user serviceable parts inside this unit. Do not attempt any repairs yourself, as doing so will void your manufacturer's warranty. In the unlikely event your unit may require service please contact ADJ Products, LLC.

***PLEASE recycle the shipping carton whenever possible.***

## Encore Profile 1000 Color

## Features

- Five Operating Modes
- Electronic Dimming 0-100%
- 5 Selectable Dimming Curves
- 64 Color Macros
- 4 Included Gobos
- DMX-512 protocol
- Locking 3-Pin & 5-Pin XLR Connector In/Out
- 5 DMX Modes: 4 Channel Mode, 5 Channel Mode, 6 Channel Mode, 10 Channel Mode, & 11 Channel Mode.
- ADJ LED RC2, ADJ UC IR, (Not Included) & Airstream IR compatible
- Power Cord Daisy Chain Capability (see **Power Cord Daisy Chain** section of this manual)

## Encore Profile 1000 Color

## Warranty Registration

The Encore Profile 1000 Color carries a 2 year limited warranty. Please fill out the enclosed warranty card to validate your purchase. All returned service items, whether under warranty or not, must be freight pre-paid and accompanied by a return authorization (R.A.) number. The R.A. number must be clearly written on the outside of the return package. A brief description of the problem as well as the R.A. number must also be written down on a piece of paper included in the shipping carton. If the unit is under warranty, you must provide a copy of your proof of purchase invoice. You may obtain an R.A. number by contacting our customer support team on our customer support number. All packages returned to the service department not displaying an R.A. number on the outside of the package will be returned to the shipper.

## Encore Profile 1000 Color

## Installation

The unit should be mounted using a mounting clamp (not provided) and affixing the clamp to unit's mounting bracket. Always ensure that the unit is firmly fixed to avoid vibration and slipping while operating. Always ensure that the structure to which you are attaching the unit is secure and is able to support at least 10 times the unit's weight. Also, always use a safety cable that can hold at least 12 times the weight of the unit when installing the fixture.

The equipment must be installed by a professional, and it must be installed in a place where it is out of the reach of people's grasp.

- To reduce the risk of electrical shock or fire, do not expose this unit rain or moisture.
- Do not spill water or other liquids into or onto your unit.
- Do not attempt to operate this unit if the power cord has been frayed or broken.
- Do not attempt to remove or break off the ground prong from the electrical cord. This prong is used to reduce the risk of electrical shock and fire in case of an internal short.
- Disconnect from main power before making any type of connection.
- Do not remove the cover under for any reason. There are no user serviceable parts inside.
- Never operate this unit with the cover removed.
- Never plug this unit in to a dimmer pack.
- Always be sure to mount this unit in an area that will allow proper ventilation. Allow about 6” (15cm) between this device and a wall.
- Do not attempt to operate this unit if it has been damaged in any way.
- This unit is intended for indoor use only. Use of this product outdoors voids all warranties.
- During long periods of non-use, disconnect the unit from the power source.
- Always mount this unit in safe and stable matter.
- Power-supply cords should be routed so that they are not likely to be walked on or pinched by items placed upon or against them, paying particular attention to the point at which they exit from the unit.
- Cleaning - The fixture should be cleaned only as recommended by the manufacturer. See the **Cleaning** section of this manual for cleaning details.
- Heat - The appliance should be situated away from heat sources, such as radiators, heat registers, stoves, or other appliances (including amplifiers) that produce heat.
- The fixture should be serviced by qualified service personnel when:
  - A. The power-supply cord or the plug has been damaged.
  - B. Objects have fallen onto, or liquid has been spilled into, the appliance.
  - C. The appliance has been exposed to rain or water.
  - D. The appliance does not appear to operate normally or exhibits a marked change in performance.

**Power Supply:** The ADJ Encore Profile 1000 Color contains an automatic voltage switch, which will automatically sense the voltage when it is plugged into the power source. With this switch there is no need to worry about the correct power voltage. This unit can be plugged in anywhere.

**DMX-512:** DMX is short for Digital Multiplex. This is a universal protocol used as a form of communication between intelligent fixtures and controllers. A DMX controller sends DMX data instructions from the controller to the fixture. DMX data is sent as serial data that travels from fixture to fixture via the DATA “IN” and DATA “OUT” XLR terminals located on all DMX fixtures (most controllers only have a DATA “OUT” terminal).

**DMX Linking:** DMX is a language allowing all makes and models of different manufacturers to be linked together and operate from a single controller, as long as all fixtures and the controller are DMX compliant. To ensure proper DMX data transmission, try to use the shortest cable path possible when linking several DMX fixtures. The order in which fixtures are connected in a DMX line does not influence the DMX addressing. For example, a fixture assigned a DMX address of 1 may be placed anywhere in a DMX line: at the beginning, at the end, or anywhere in the middle. When a fixture is assigned a DMX address of 1, the DMX controller knows to send DATA assigned to address 1 to that unit, no matter where it is located in the DMX chain.

**Data Cable (DMX Cable) Requirements (For DMX Operation):** The Encore Profile 1000 Color can be controlled via DMX-512 protocol. The Encore Profile 1000 Color has 5 DMX modes; please see the **Channel Mode** sections of this manual for detailed descriptions of the different modes. The DMX address is set on the back panel of the Encore Profile 1000 Color. Your unit and your DMX controller require a standard 3-pin or 5-pin XLR connector for data input and data output (Figure 1). We recommend Accu-Cable DMX cables. If you are making your own cables, be sure to use standard 110-120 Ohm shielded cable (This cable may be purchased at almost all pro lighting stores). Your cables should be made with a male XLR one end of the cable and a female XLR connector on the other. Also remember that DMX cable must be daisy chained and cannot be split.



Figure 1

**Notice:** Be sure to follow figures two and three when making your own cables. Do not use the ground lug on the XLR connector. Do not connect the cable's shield conductor to the ground lug or allow the shield conductor to come into contact with the XLR cable's outer casing. Ground the shield could cause a short circuit and result in erratic behavior.

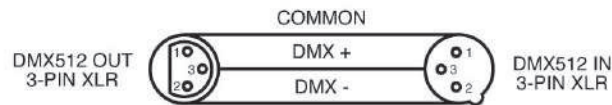


Figure 2

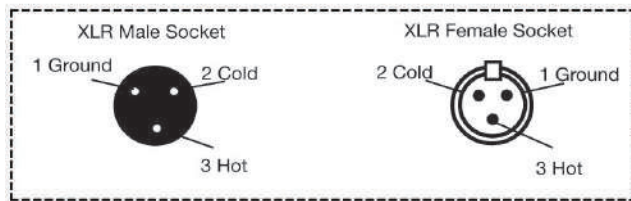
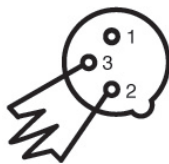


Figure 3

XLR Pin Configuration
Pin 1 = Ground
Pin 2 = Data Compliment (negative)
Pin 3 = Data True (positive)

**Special Note: Line Termination.** When longer runs of cable are used, you may need to use a terminator on the last unit to avoid erratic behavior. A terminator is a 110-120 ohm 1/4 watt resistor which is connected between pins 2 and 3 of a male XLR connector (DATA + and DATA -). This unit is inserted in the female XLR connector of the last unit in your daisy chain to terminate the line. Using a cable terminator (ADJ part number Z-DMX/T) will decrease the chance of erratic behavior.



Termination reduces signal errors and avoids signal transmission problems and interference. It is always advisable to connect a DMX terminal, (Resistance 120 Ohm 1/4 W) between PIN 2 (DMX-) and PIN 3 (DMX +) of the last fixture.

Figure 4

**5-Pin XLR DMX Connectors.** Some manufacturers use 5-pin DMX-512 data cables for DATA transmission in place of 3-pin. 5-pin DMX fixtures may be implemented in a 3-pin DMX line. When inserting standard 5-pin data cables in to a 3-pin line, a cable adaptor must be used. These adaptors are readily available at most electric stores. The chart below details a proper cable conversion.

3-Pin XLR to 5-Pin XLR Conversion		
Conductor	3-Pin XLR Female (Out)	5-Pin XLR Male (In)
Ground/Shield	Pin 1	Pin 1
Data Compliment (- signal)	Pin 2	Pin 2
Data True (+ signal)	Pin 3	Pin 3
Not Used		Do Not Use
Not Used		Do Not Use

**LCD Backlight On/Off:**

To set the LCD backlight to turn off after 20 seconds of inactivity, press the MODE button until “OTHER” is displayed, then press the SET UP button until “OTHER BLGT:XX” is displayed. “XX” represents the current state. Press the UP or DOWN buttons to set the backlight to turn “OFF” after 20 seconds of inactivity, or “ON” to stay on at all times.

**Operating Modes:**

The Encore Profile 1000 Color has six operating modes:

- RGBW Dimmer Mode - Choose one of the four colors to remain static or adjust the intensity of each color to create your desired combination.
- Color Change Mode - There are 16 color change modes to choose from. In color change mode, the unit will cycle through various colors depending on the color change mode that is chosen. The color change speed is also adjustable.
- Color Fade Mode - There are 16 color fade modes to choose from. In color fade mode, the unit will cycle/fade through various colors depending on the color fade mode that is chosen. The fade speed is also adjustable.
- Auto Mode - In Auto Mode, the fixture will run a combination of color change and color fade. The speed is adjustable.
- Static Color Mode - There are 64 color options to choose from.
- DMX Control Mode - This function will allow you to control each individual fixture trait with a standard DMX 512 controller.

**RGBW Dimmer Mode:**

1. Plug the fixture in and press the MODE button until “MANUAL” is displayed. Press the SET UP button to cycle through the RGBW colors.
2. When “RED” is displayed, you are in Red dimming mode. Press the UP and DOWN buttons to adjust intensity.
3. When “GREN” is displayed, you are in Green dimming mode. Press the UP and DOWN buttons to adjust intensity.
4. When “BLUE” is displayed, you are in Blue dimming mode. Press the UP and DOWN buttons to adjust intensity.
5. When “WHIT” is displayed, you are in White dimming mode. Press the UP and DOWN buttons to adjust intensity.
6. After you have adjusted the RGBW colors to make your desired color combination, you can then activate strobing by pressing the SET UP button to enter strobing.
7. “STRO” will be displayed, indicating that you are in strobing mode. The strobing can be adjusted between “00” (strobing off) to “15” (fastest strobing).

**Color Change Mode:**

1. Plug the fixture in and press the MODE button until “JUMP RUN SNAP:XX” is displayed. “XX” represents a number between 01-16.
2. Use the UP and DOWN buttons to find your desired color change mode.
3. Press the SET UP button and “SPEED:XX” will be displayed. Use the UP and DOWN buttons to adjust the speed of the color change. The speed can be adjusted between “01” (slowest) to “16” (fastest).

**Color Fade Mode:**

1. Plug the fixture in and press the MODE button until “FADE RUN FADE:XX” is displayed. “XX” represents a number between 01-16.
2. Use the UP and DOWN buttons to find your desired color fade mode.
3. Press the SET UP button and “SPEED:XX” will be displayed. Use the UP and DOWN buttons to adjust the speed of the color fade. The speed can be adjusted between “01” (slowest) to “16” (fastest).

**Auto Run Mode:**

1. Plug the fixture in and press the MODE button until “AUTO RUN FAD+SNAP” is displayed.
2. Press the SET UP button and “SPEED:XX” will be displayed. Use the UP and DOWN buttons to adjust the speed of the Auto Run. The speed can be adjusted between “01” (slowest) to “16” (fastest).

**Static Color Mode:**

1. Plug the fixture in and press the MODE button until “CLR MACS COLOR:XX” is displayed. “XX” represents a number between 00-64.
2. Use the UP and DOWN buttons to scroll through the 64 colors and find your desired color. After you have found your desired color, you can activate strobing by pressing the SET UP button to enter the strobe mode.
3. “STROB:XX” will be displayed, indicating that the unit is in strobe mode. The strobing can be adjusted between “00” (flash off) to “15” (fastest flash).

**DMX Mode:**

Operating through a DMX controller gives the user the freedom to create their own programs tailored to their own individual needs. The Encore Profile 1000 Color has 5 DMX modes: 4 channel mode, 5 channel mode, 6 channel mode, 10 channel mode, and 11 channel mode. See the **Channel Mode** sections of this manual for detailed descriptions of DMX traits.

1. This function will allow you to control each individual fixture's traits with a standard DMX 512 controller.
2. To run your fixture in DMX mode press the MODE button until “DMX MODE:XXX” is displayed. “XXX” represents the current displayed DMX address. Use the UP or DOWN buttons to select your desired DMX address, then press the SETUP button to select your DMX channel mode.
3. Use the UP or DOWN buttons to scroll through and select the desired DMX channel mode.
4. After you have chosen your desired DMX Channel mode, connect the fixture to any standard DMX controller via the XLR connection ports.

**System Reset:**

This will return the fixture to its factory settings.

1. Plug the fixture in and press the MODE button until “OTHER MODE” is displayed.
2. Press the SET UP button until “SYSRESET” is displayed.
3. Press the UP and DOWN buttons simultaneously to reset or press the MODE button to exit.

**Dimmer Curve:**

This is used to set the dimming curve used with DMX mode. See the **Dimmer Curve Chart** section of this manual for details.

1. Plug the fixture in and press the MODE button until “DMX MODE ADDR:XXX” is displayed.
2. Press the SET UP button until “DELAY:X” is displayed. “X” represents the displayed dimmer curve (0-4).
  - 0 - Standard
  - 1 - Stage
  - 2 - TV
  - 3 - Architectural
  - 4 - Theatre
3. Press the UP or DOWN buttons to scroll through and select your desired dimming curve.

**DMX State:**

This setting defines how the unit will behave when DMX signal is lost or interrupted, as well as how the unit will behave when it is first powered up.

1. Plug the fixture in and press the MODE button until “DMX MODE ADDR:XXX” is displayed.
2. Press the SET UP button until “DMX MODE NO” is displayed. The current DMX state will be displayed.
  - “BLACK” (Blackout) - If the DMX signal is lost or interrupted, the unit will automatically go into stand by mode.
  - “HOLD” (Last State) - If the DMX signal is lost or interrupted, the fixture will adhere the last DMX setting in use before the DMX signal was lost.
  - “AUTO” (Auto Run) - If the DMX signal is lost or interrupted, the unit will automatically go into Auto Run mode.
3. Press the UP or DOWN buttons to scroll through and select your desired DMX state.

**ADJ RFC:**

This function is used to activate and deactivate the infrared sensor. When this function is activated, the fixture can be controlled using the ADJ LED RC2 (sold separately), UC IR (sold separately), and Airstream IR app. See the **ADJ LED RC2 Operation** and **UC IR Remote & Airstream IR** sections of this manual for details. To control the Encore Profile 1000 Color, plug the included IR receiver into the IR receiver input located on the rear of the controller. The remote control device must be aimed at the IR sensor, and maximum range is 30 feet.

1. Plug the fixture in and press the MODE button until “OTHER MODE” is displayed.
2. Press the SET UP button until “IR: XX” is displayed.
3. Press the UP or DOWN buttons to either activate the remote function (On) or deactivate it (Off).

**Color Balance Mode:**

1. Plug the fixture in and press the MODE button until “BALANCE” is displayed. Press the SET UP button for at least 3 seconds until the displayed number begins to flash.
2. When “RED” is displayed, you are in Red balance mode. Press the UP and DOWN buttons to adjust intensity.
3. When “GREEN” is displayed, you are in Green balance mode. Press the UP and DOWN buttons to adjust intensity.
4. When “BLUE” is displayed, you are in Blue balance mode. Press the UP and DOWN buttons to adjust intensity.
5. When “WHIT” is displayed, you are in White balance mode. Press the UP and DOWN buttons to adjust intensity.
6. Press the SET UP button for 3 seconds to save your settings.

**Gamma:**

This feature is predominately used when shooting video. Adjust the gamma setting to clean up any lines that might be seen on camera.

1. Plug the fixture in and press the MODE button until “GAMMA” is displayed. The current gamma setting will be displayed.
2. Use the UP and DOWN buttons to change the gamma setting.

**Refresh Rate:**

This feature is predominately used when shooting video. Adjust the frequency setting to clear up any LED flicker that might be seen on camera.

1. Plug the fixture in and press the MODE button until “FREQUENC” is displayed. The current frequency setting will be displayed.
2. Use the UP and DOWN buttons to change the frequency setting.

**Fan Speed:**

This will let you set your desired fan speed.

1. Plug the fixture in and press the MODE button until “FAN SPEED” is displayed, and press ENTER.
2. Use the UP and DOWN buttons to switch between the different fan speeds.

**PCB Temperature:**

This will check the current temperature of unit as well as switch between fahrenheit and celsius.

1. Plug the fixture in and press the MODE button until “OTHER MODE” is displayed.
2. Press the SET UP button until “TEM:XXXX” is displayed.
3. Use the UP and DOWN buttons to switch between fahrenheit and celsius.

***Secondary Configuration:***

This function will allow you to link units together to run in a Primary-Secondary setup. In a Primary-Secondary set up, one unit will act as the controlling unit and the others will react to the controlling unit's behavior. Any unit can act as a Primary or as a Secondary; however, only one unit can be programmed to act as the "Primary."

***Primary-Secondary Connections and Settings:***

1. Daisy chain your units via the XLR connectors on the rear panels of the units. Use standard XLR data cables to link your units together. Remember that the Male XLR connector is the input and the Female XLR connector is the output. The first unit in the chain (primary) will use the female XLR connector only, and the last unit in the chain will use the male XLR connector only.
2. Set the "Primary" unit to your desired mode of operation.
3. On the "Secondary" units, press the MODE button until "Secondary Mode" is displayed. The unit is now set as the "Secondary" unit. Each secondary unit must be set to the same setting.
4. Connect the first "Secondary" unit to the "Primary", and the "Secondary" unit should now start to follow the "Primary".

The knobs located on the right side of unit are used to adjust the focus and the zoom. For a tighter/narrower beam, move the first/front knob to the front of the fixture, and move the second knob to rear. For a wider beam, move the first/front knob towards the middle of the fixture, and move the second knob towards the middle as well. Adjust accordingly.

The **ADJ LED RC2** infrared remote (sold separately) has many different functions. To control the fixture, you must aim the controller at the infrared sensor and be within the 30-foot maximum operating range. To use the ADJ LED RC2 you must first activate the fixtures infrared sensor. See the **Operating Instructions** section of this manual for detailed instructions.

**BLACKOUT** - Pressing this button will blackout the fixture.

**SELECT PROG** - Pressing this button will cycle through static color mode, color change mode, color fade mode, and auto run mode. Each press of this button will change to the next mode. When you have found your desired mode, use the “+” or “-” to scroll through the programs or static colors. When in either color fade mode or color change mode, press the Speed button and use the “+” or “-” to adjust the running speed. When in static color mode, press the Flash button to activate strobe and use the “+” or “-” to adjust the strobe speed.

**FLASH** - This button will activate the strobe effect. You can control the flash rate by pressing the “+” and “-” buttons. Press this button again to exit strobe mode.

**SPEED** - Press this button and use the “+” & “-” buttons to adjust the speed of the color change mode, color fade mode, or auto run.

**DMX MODE** - This button will cycle between DMX addressing, DMX channel mode, and dimmer curve selection. Some fixtures will come with different DMX channel modes. This button will switch between the different modes. Please see the **Channel Mode** sections of this manual for DMX modes, values, and traits.

**SECONDARY/SOUND ACTIVE** - This designates the fixture as a secondary fixture in a primary/secondary configuration. Sound active has no assigned function for this fixture.

**SET ADDRESS** - Press this button to set the DMX address. Press this button first, then press the numbers to set the address. If the address is correctly set, all LED's will flash and the unit will automatically go into DMX mode.

**R G B W** - Press any of these buttons, and then press the “+” or “-” to adjust the brightness. Press the FLASH button to activate strobing and use the “+” or “-” to adjust the flash speed.

**“+” and “-”** - These buttons adjust the flash rate and speed of the color change mode, color fade mode, and auto run. When in color change or color fade mode they are used to find your desired program. See the **Operating Instructions** section of this manual for details.

**DMX Mode:**

Operating through a DMX controller gives the user the freedom to create programs tailored to his or her own individual needs. Follow the directions below to set your DMX address and DMX channel mode.

Before connecting this unit to a DMX controller, select the desired DMX channel mode by pressing the DMX Mode button, then using the “+” or “-” buttons to scroll through the available DMX channel mode options. Set the mode before setting the address of the fixture.

After you have selected your mode, set the DMX address for the fixture by pressing the “S” button. When the “S” button is pressed the LED’s will flash 2-3 times. Use the number buttons to key in your desired address.

**Note:** When setting the DMX address, the LED display will flash in a particular color each time a number is entered. The color of the LED flashes indicate the selected DMX mode as listed below:

- Red LED = 4 Channel Mode.
- Green LED = 5 Channel Mode.
- Blue LED = 6 Channel Mode.
- White LED = 10 Channel Mode.
- Red & Green LED = 11 Channel Mode.

The LED display will flash 2-3 times when the DMX address has been set correctly, indicating that you may now connect the fixture via the XLR connections to any standard DMX controller. Please refer to the Channel Mode sections of this manual for a detailed descriptions of the DMX modes, values, and traits.

The **UC IR (sold separately)** infrared remote gives you control of various functions. To control the fixture, aim the remote at the front of the fixture. Maximum range is 30 feet.

The **Airstream IR (sold separately)** remote transmitter plugs into the headphone jack of your iOS phone or tablet. To control your IR fixture you must raise the volume to the maximum on your iOS phone or tablet and aim the transmitter at the fixture sensor. Maximum range is 15 feet. After you have purchased the Airstream IR transmitters, the app is a free download from the app store for your iOS phone or tablet. The app comes with 3 pages of control depending on the fixture you are using. Please see below for IR functions including the corresponding app page.

### **Works with App page 1.**

**STAND BY** - Pressing this button will blackout the fixture. Press the button again to return to the initial state.

**FULL ON** - Hold this button down to fully illuminate the unit. When the button is released, the unit will return to its previous state.

**FADE/GOBO** - Pressing this button activates color fade mode.

**“DIMMER +” and “DIMMER -”** - Use these buttons adjust output intensity in color mode.

**STROBE** - Press and hold this button for strobing.

**COLOR** - Press this button to activate color mode. Use buttons 1-9 to select your desired color. Use the “DIMMER+” and “DIMMER-” to scroll through the colors.

**1-9** - Use these buttons to select your desired color or show when show mode is active. Use the “DIMMER+” and “DIMMER-” buttons to adjust the output intensity.

**SHOW 0** - Press this button to activate show mode. Use buttons 1-9 to select shows 1-9. Press this button twice to run show 10, and press button 1 to run show 11.

<b>Channel</b>	<b>Value</b>	<b>Function</b>
1	0 - 255	RED 0% - 100%
2	0 - 255	GREEN 0% - 100%
3	0 - 255	BLUE 0% - 100%
4	0 - 255	WHITE 0% - 100%

<b>Channel</b>	<b>Value</b>	<b>Function</b>
1	0 - 255	RED 0% - 100%
2	0 - 255	GREEN 0% - 100%
3	0 - 255	BLUE 0% - 100%
4	0 - 255	WHITE 0% - 100%
5	0 - 255	MASTER DIMMER 0% - 100%

<b>Channel</b>	<b>Value</b>	<b>Function</b>
1	0 - 255	RED 0% - 100%
2	0 - 255	GREEN 0% - 100%
3	0 - 255	BLUE 0% - 100%
4	0 - 255	WHITE 0% - 100%
5	0 - 255	MASTER DIMMER 0% - 100%
6	0 - 15 16 - 255	SHUTTER/STROBE LED OFF STROBING SLOW - FAST

Channel	Value	Function
1	0 - 255	RED 0% - 100%
2	0 - 255	GREEN 0% - 100%
3	0 - 255	BLUE 0% - 100%
4	0 - 255	WHITE 0% - 100%
5	0 - 255	MASTER DIMMER 0% - 100%
6	0 - 15 16 - 255	SHUTTER/STROBE LED OFF STROBING SLOW - FAST
7	0 - 51 52 - 102 103 - 153 154 - 204 205 - 255	PROGRAM SELECTION MODE DIMMING MODE COLOR MACRO MODE COLOR CHANGE MODE COLOR FADE MODE AUTO RUN MODE
8	0 - 255  0 - 15 16 - 31 32 - 47 48 - 63 64 - 79 80 - 95 96 - 111 112 - 127 128 - 143 144 - 159 160 - 175 176 - 191	COLOR MACROS/PROGRAMS/ AUTO RUN  COLOR MACRO MODE (See page 24 for the Color Macro Chart)  COLOR CHANGE PROGRAMS COLOR CHANGE 1 COLOR CHANGE 2 COLOR CHANGE 3 COLOR CHANGE 4 COLOR CHANGE 5 COLOR CHANGE 6 COLOR CHANGE 7 COLOR CHANGE 8 COLOR CHANGE 9 COLOR CHANGE 10 COLOR CHANGE 11 COLOR CHANGE 12

Channel	Value	Function
8	192 - 207 208 - 223 224 - 239 240 - 255	COLOR MACROS/PROGRAMS/ AUTO RUN  COLOR CHANGE PROGRAMS COLOR CHANGE 13 COLOR CHANGE 14 COLOR CHANGE 15 COLOR CHANGE 16
	0 - 15 16 - 31 32 - 47 48 - 63 64 - 79 80 - 95 96 - 111 112 - 127 128 - 143 144 - 159 160 - 175 176 - 191 192 - 207 208 - 223 224 - 239 240 - 255	COLOR FADE PROGRAMS COLOR FADE 1 COLOR FADE 2 COLOR FADE 3 COLOR FADE 4 COLOR FADE 5 COLOR FADE 6 COLOR FADE 7 COLOR FADE 8 COLOR FADE 9 COLOR FADE 10 COLOR FADE 11 COLOR FADE 12 COLOR FADE 13 COLOR FADE 14 COLOR FADE 15 COLOR FADE 16
9	0 - 255	PROGRAM SPEED SLOW - FAST
10	0 - 20 21 - 40 41 - 60 61 - 80 81 - 100 101 - 255	DIMMER CURVES STANDARD STAGE TV ARCHITECTURAL THEATRE DEFAULT TO UNIT SETTING

Channel	Value	Function
1	0 - 255	RED 0% - 100%
2	0 - 255	GREEN 0% - 100%
3	0 - 255	BLUE 0% - 100%
4	0 - 255	WHITE 0% - 100%
5	0 - 255	MASTER DIMMER 0% - 100%
6	0 - 15 16 - 255	STROBE LED OFF STROBING SLOW - FAST
7	0 - 51 52 - 102 103 - 153 154 - 204 205 - 255	PROGRAM SELECTION MODE DIMMING MODE COLOR MACRO MODE COLOR CHANGE MODE COLOR FADE MODE AUTO RUN MODE
8	0 - 255  0 - 15 16 - 31 32 - 47 48 - 63 64 - 79 80 - 95 96 - 111 112 - 127 128 - 143 144 - 159 160 - 175 176 - 191	COLOR MACROS/PROGRAMS/ AUTO RUN  COLOR MACRO MODE (See page 24 for the Color Macro Chart)  COLOR CHANGE PROGRAMS COLOR CHANGE 1 COLOR CHANGE 2 COLOR CHANGE 3 COLOR CHANGE 4 COLOR CHANGE 5 COLOR CHANGE 6 COLOR CHANGE 7 COLOR CHANGE 8 COLOR CHANGE 9 COLOR CHANGE 10 COLOR CHANGE 11 COLOR CHANGE 12

Channel	Value	Function
8		COLOR MACROS/PROGRAMS/ AUTO RUN
		COLOR CHANGE PROGRAMS
	192 - 207	COLOR CHANGE 13
	208 - 223	COLOR CHANGE 14
	224 - 239	COLOR CHANGE 15
	240 - 255	COLOR CHANGE 16
		COLOR FADE PROGRAMS
	0 - 15	COLOR FADE 1
	16 - 31	COLOR FADE 2
	32 - 47	COLOR FADE 3
	48 - 63	COLOR FADE 4
	64 - 79	COLOR FADE 5
	80 - 95	COLOR FADE 6
	96 - 111	COLOR FADE 7
	112 - 127	COLOR FADE 8
	128 - 143	COLOR FADE 9
	144 - 159	COLOR FADE 10
	160 - 175	COLOR FADE 11
	176 - 191	COLOR FADE 12
	192 - 207	COLOR FADE 13
208 - 223	COLOR FADE 14	
224 - 239	COLOR FADE 15	
240 - 255	COLOR FADE 16	
9	0 - 255	PROGRAM SPEED SLOW - FAST
10		COLOR TEMPERATURE
	0 - 28	3200K
	29 - 57	3500K
	58 - 86	4200K
	87 - 114	4500K
	115 - 142	5200K
	143 - 170	5500K
	171 - 198	6200K
	199 - 226	6500K
227 - 255	7200K	

Channel	Value	Function
11	0 - 20	DIMMER CURVES
	21 - 40	STANDARD
	41 - 60	STAGE
	61 - 80	TV
	81 - 100	ARCHITECTURAL
	101 - 255	THEATRE
		DEFAULT TO UNIT SETTING

When Channel 7 is between the values of 0-51, Channels 1-4 are used, and Channel 6 will control strobing.

When Channel 7 is between the values of 52-102, Channel 8 is in Color Macros Mode, and Channel 6 will control strobing.

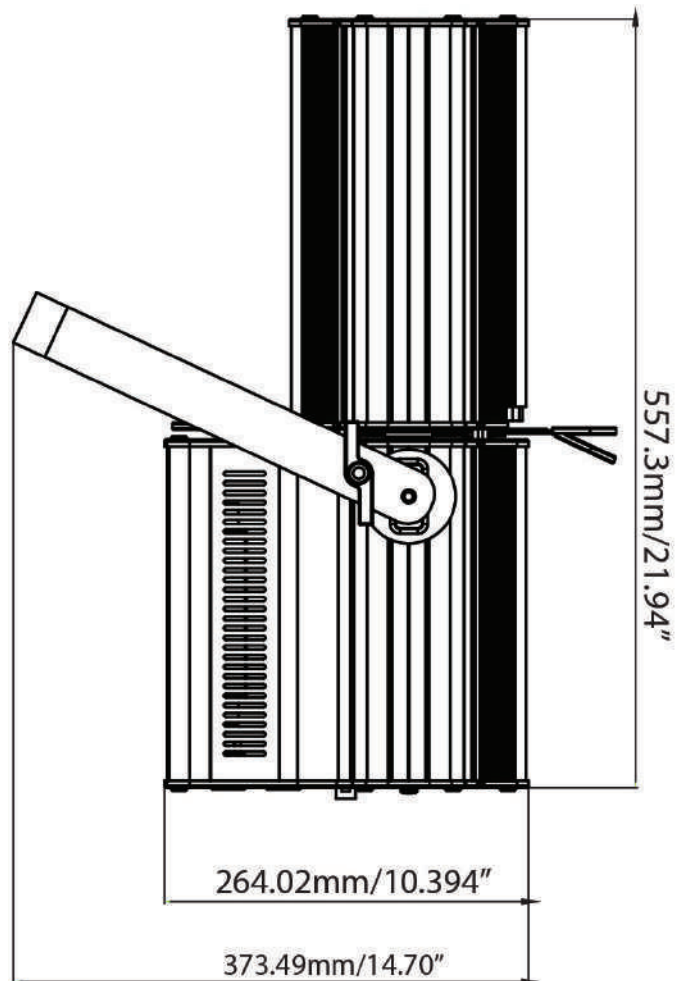
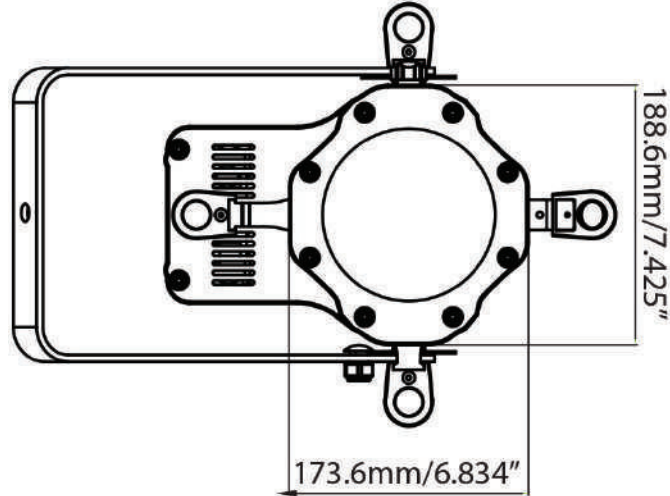
When Channel 7 is between the values of 103-153, Channel 8 is in Color Change Mode, and Channel 9 will control the color change speed.

When Channel 7 is between the values of 154-204, Channel 8 is in Color Fade Mode, and Channel 9 will control the color fade speed.

When Channel 7 is between the values of 205-255, Channel 8 is in Auto Run Mode, and Channel 9 will control the Auto Run speed.

Color No.	DMX VAULE	RGBW COLOR INTENSITY			
		RED	GREEN	BLUE	WHITE
OFF	0	0	0	0	0
Color1	1-4	80	255	234	80
Color2	5-8	80	255	164	80
Color3	9-12	77	255	112	77
Color4	13-16	117	255	83	83
Color5	17-20	160	255	77	77
Color6	21-24	223	255	83	83
Color7	25-28	255	243	77	77
Color8	29-32	255	200	74	74
Color9	33-36	255	166	77	77
Color10	37-40	255	125	74	74
Color11	41-44	255	97	77	74
Color12	45-48	255	71	77	71
Color13	49-52	255	83	134	83
Color14	53-56	255	93	182	93
Color15	57-60	255	96	236	96
Color16	61-64	238	93	255	93
Color17	65-68	196	87	255	87
Color18	69-72	150	90	255	90
Color19	73-76	100	77	255	77
Color20	77-80	77	100	255	77
Color21	81-84	67	148	255	67
Color22	85-88	77	195	255	77
Color23	89-92	77	234	255	77
Color24	93-96	158	255	144	144
Color25	97-100	255	251	153	153
Color26	101-104	255	175	147	147
Color27	105-108	255	138	186	138
Color28	109-112	255	147	251	147
Color29	113-116	151	138	255	138
Color30	117-120	99	0	255	100
Color31	121-124	138	169	255	138
Color32	125-128	255	255	255	255

Color No.	DMX VAULE	RGBW COLOR INTENSITY			
		RED	GREEN	BLUE	WHITE
Color33	129-132	255	206	143	0
Color34	133-136	254	177	153	0
Color35	137-140	254	192	138	0
Color36	141-144	254	165	98	0
Color37	145-148	254	121	0	0
Color38	149-152	176	17	0	0
Color39	153-156	96	0	11	0
Color40	157-160	234	139	171	0
Color41	161-164	224	5	97	0
Color42	165-168	175	77	173	0
Color43	169-172	119	130	199	0
Color44	173-176	147	164	212	0
Color45	177-180	88	2	163	0
Color46	181-184	0	38	86	0
Color47	185-188	0	142	208	0
Color48	189-192	52	148	209	0
Color49	193-196	1	134	201	0
Color50	197-200	0	145	212	0
Color51	201-204	0	121	192	0
Color52	205-208	0	129	184	0
Color53	209-212	0	83	115	0
Color54	213-216	0	97	166	0
Color55	217-220	1	100	167	0
Color56	221-224	0	40	86	0
Color57	225-228	209	219	182	0
Color58	229-232	42	165	85	0
Color59	233-236	0	46	35	0
Color60	237-240	8	107	222	0
Color61	241-244	107	156	231	0
Color62	245-248	165	198	247	0
Color63	249-252	0	0	189	0
Color64	253-255	255	255	255	0



## Encore Profile 1000 Color

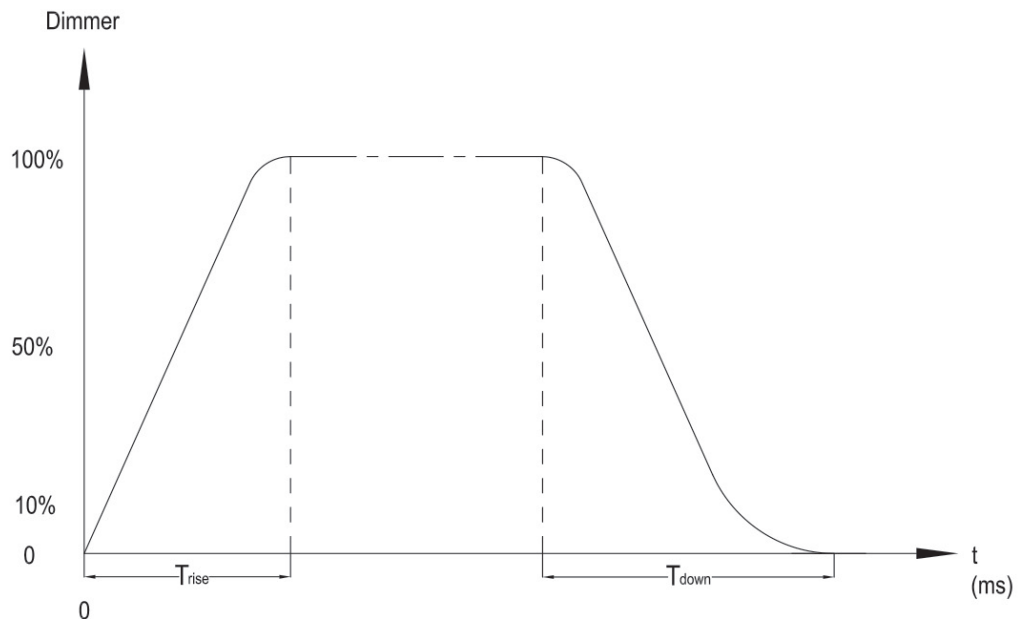
## Gobo Install

The Encore Profile 1000 Color comes with 4 replaceable gobos. To install a gobo, unscrew and remove the phillips screw located at the bottom of the gobo holder. Gently lift part of the gobo holder slide up and carefully slide the gobo into place. Reinstall the phillips screw and tighten. Slide the gobo holder into the slot located at the top of the unit in front of the framing lever.



## Encore Profile 1000 Color

## Dimmer Curve Chart



Ramp Effect	OS (Fade Time)		1S (Fade Time)	
	$T_{rise}$ (ms)	$T_{down}$ (ms)	$T_{rise}$ (ms)	$T_{down}$ (ms)
Standard	0	0	0	0
Stage	780	1100	1540	1660
TV	1180	1520	1860	1940
Architectural	1380	1730	2040	2120
Theatre	1580	1940	2230	2280

## Encore Profile 1000 Color

## Power Cord Daisy Chain

*These fixtures have the capability to be linked to one another using the power input and output sockets.*

*The maximum number of units that can be connected in this manner is 5 fixtures.*

*After this maximum number has been reached, a new power outlet must be used to accommodate any additional fixtures. All linked fixtures must be of the same make and model type. DO NOT mix fixtures.*

## Encore Profile 1000 Color

## Fuse Replacement

Disconnect the unit from its power source, and remove the power cord from the unit. Once the cord has been removed, the fuse holder can be seen above the power connection. Use a phillips head screwdriver to remove the fuse holder. Remove the fuse located inside the fuse holder and replace with the new fuse. Install the fuse holder and new fuse back in the unit.

## Encore Profile 1000 Color

## Trouble Shooting

Listed below is a common problem that the user may encounter, and a possible solution.

### ***Unit not responding to DMX:***

Check that the DMX cables are connected and wired correctly (pin 3 is 'hot'; on some other DMX devices pin 2 may be 'hot'). Also, check that all cables are connected to the right connectors. The fixture may not function properly if the inputs and outputs are not connected in the correct manner.

## Encore Profile 1000 Color

## Cleaning

Due to the presence of fog residue, smoke, and dust, cleaning the internal and external optical lenses must be carried out periodically in order to optimize light output.

- Use normal glass cleaner and a soft cloth to wipe down the outside casing.
- Clean the external optics with glass cleaner and a soft cloth every 20 days.
- Always be sure to dry all parts completely before plugging the unit back in.

Cleaning frequency depends on the environment in which the fixture operates (i.e. smoke, fog residue, dust, dew).

**MANUFACTURER'S LIMITED WARRANTY**

- A. ADJ Products, LLC hereby warrants, to the original purchaser, ADJ Products, LLC products to be free of manufacturing defects in material and workmanship for a prescribed period from the date of purchase (see specific warranty period on reverse). This warranty shall be valid only if the product is purchased within the United States of America, including possessions and territories. It is the owner's responsibility to establish the date and place of purchase by acceptable evidence, at the time service is sought.
- B. For warranty service, you must obtain a Return Authorization number (RA#) before sending the product back—please contact ADJ Products, LLC Service Department at 800-322-6337. Send the product only to the ADJ Products, LLC factory. All shipping charges must be prepaid. If the requested repairs or service (including parts replacement) are within the terms of this warranty, ADJ Products, LLC will pay return shipping charges only to a designated point within the United States. If the entire instrument is sent, it must be shipped in its original package and packaging material. No accessories should be shipped with the product. If any accessories are shipped with the product, ADJ Products, LLC shall incur no liability whatsoever for loss of or damage to any such accessories, nor for the safe return thereof.
- C. This warranty is void if the product serial number and/or labels are altered or removed; if the product is modified in any manner which ADJ Products, LLC concludes, after inspection, affects the reliability of the product; if the product has been repaired or serviced by anyone other than the ADJ Products, LLC factory unless prior written authorization was issued to purchaser by ADJ Products, LLC; if the product is damaged because it was not properly maintained as set forth in the product instructions, guidelines and/or user manual.
- D. This is not a service contract, and this warranty does not include maintenance, cleaning, or periodic checkup. During the period specified above, ADJ Products, LLC will replace defective parts at its expense with new or refurbished parts, and will absorb all expenses for warranty service and repair labor by reason of defects in material or workmanship. The sole responsibility of ADJ Products, LLC under this warranty shall be limited to the repair of the product, or replacement thereof, including parts, at the sole discretion of ADJ Products, LLC. All products covered by this warranty were manufactured after August 15, 2012, and bear identifying marks to that effect.
- E. ADJ Products, LLC reserves the right to make changes in design and/or improvements upon its products without any obligation to include these changes in any products theretofore manufactured.
- F. No warranty, whether expressed or implied, is given or made with respect to any accessory supplied with products described above. Except to the extent prohibited by applicable law, all implied warranties made by ADJ Products, LLC in connection with this product, including warranties of merchantability or fitness, are limited in duration to the warranty period set forth above. And all warranties, whether expressed or implied, including warranties of merchantability or fitness, are limited in duration to the warranty period set forth above. The consumer's and/or dealer's sole remedy shall be such repair or replacement as is expressly provided above; and under no circumstances shall ADJ Product, LLC be liable for any loss and/or damage, direct and/or consequential arising out of the use of, and/or inability to use this product.
- G. This warranty is the only written warranty applicable to ADJ Products, LLC products, and supersedes all prior warranties and written descriptions of warranty terms and conditions heretofore published.

**MANUFACTURER'S LIMITED WARRANTY PERIODS:**

- Non-LED Lighting Products = 1-Year (365 Days) (Including Special Effect Lighting, Intelligent Lighting, UV lighting, Strobes, Fog Machines, Bubble Machines, Mirror Balls, Par Cans, Trussing, Lighting Stands, Power/Data Distribution, etc. excluding LED and lamps)
- Laser Products = 1-Year (365 Days) (excluding laser diodes which have a 6-Month Limited Warranty)
- LED Products = 2-Year (730 Days) (excluding batteries which have a 180 Day Limited Warranty)
- NOTE: 2-Year (730 Days) Limited Warranty ONLY applies to product purchased within the United States. StarTec Series = 1-Year (365 Days) (excluding batteries which have a 180 Day Limited Warranty)
- ADJ DMX Controllers = 2 Year (730 Days)
- American Audio Products = 1 Year (365 Days)

<b>MODEL:</b>	<b>Encore Profile 1000 Color</b>
<b>Voltage:</b>	100V~240V, 50Hz/60Hz
<b>LEDs:</b>	1 x 120W RGBw 4-in-1 COB LED
<b>Working Position:</b>	Any safe working position
<b>Power Draw:</b>	144W
<b>Power Cord Daisy Chain:</b>	5 Fixtures Max.
<b>Fuse:</b>	3 Amp
<b>Weight:</b>	19 Lbs. / 8.5 kgs.
<b>Dimensions:</b>	22" (L) x 9.75" (W) x 15.25" (H) 560 x 250 x 385mm
<b>Colors:</b>	RGBW Mixing
<b>Gobo Size:</b>	Outer Diameter: 61mm Inner Diameter: 51mm Thickness: 2mm
<b>DMX Channels:</b>	5 DMX Modes: 4, 5, 6, 10, & 11 Channel Mode
<b>Warranty:</b>	2 Years (730 Days)

**Auto Sensing Voltage:** This fixture contains an automatic voltage switch, which will automatically sense the voltage when it is plugged into a power source.

**Please Note:** Specifications and improvements in the design of this unit and this manual are subject with change without any prior written notice.

ADJ Products, LLC  
 6122 S. Eastern Ave. Los Angeles, CA 90040 USA  
 Tel: 323-582-2650 / Fax: 323-725-6100  
 Web: [www.adj.com](http://www.adj.com) / E-mail: [info@americandj.com](mailto:info@americandj.com)

**Follow Us On:**



[facebook.com/americandj](https://facebook.com/americandj)  
[twitter.com/americandj](https://twitter.com/americandj)  
[youtube.com/adjlighting](https://youtube.com/adjlighting)

A.D.J. Supply Europe B.V.  
 Junostraat 2  
 6468 EW Kerkrade  
 Netherlands  
[service@adjgroup.eu](mailto:service@adjgroup.eu) / [www.adj.eu](http://www.adj.eu)  
 Tel: +31 45 546 85 00 / Fax: +31 45 546 85 99



